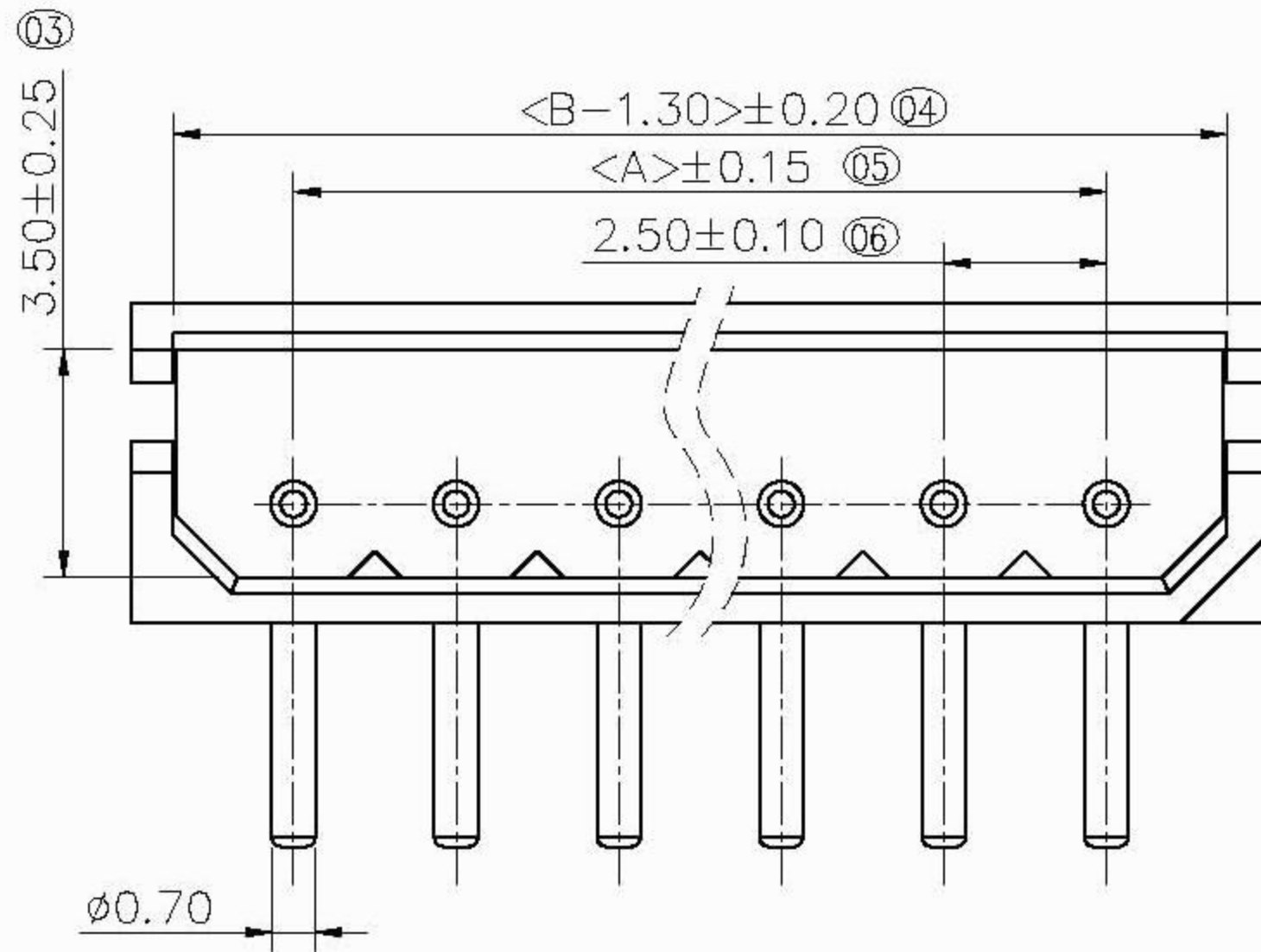
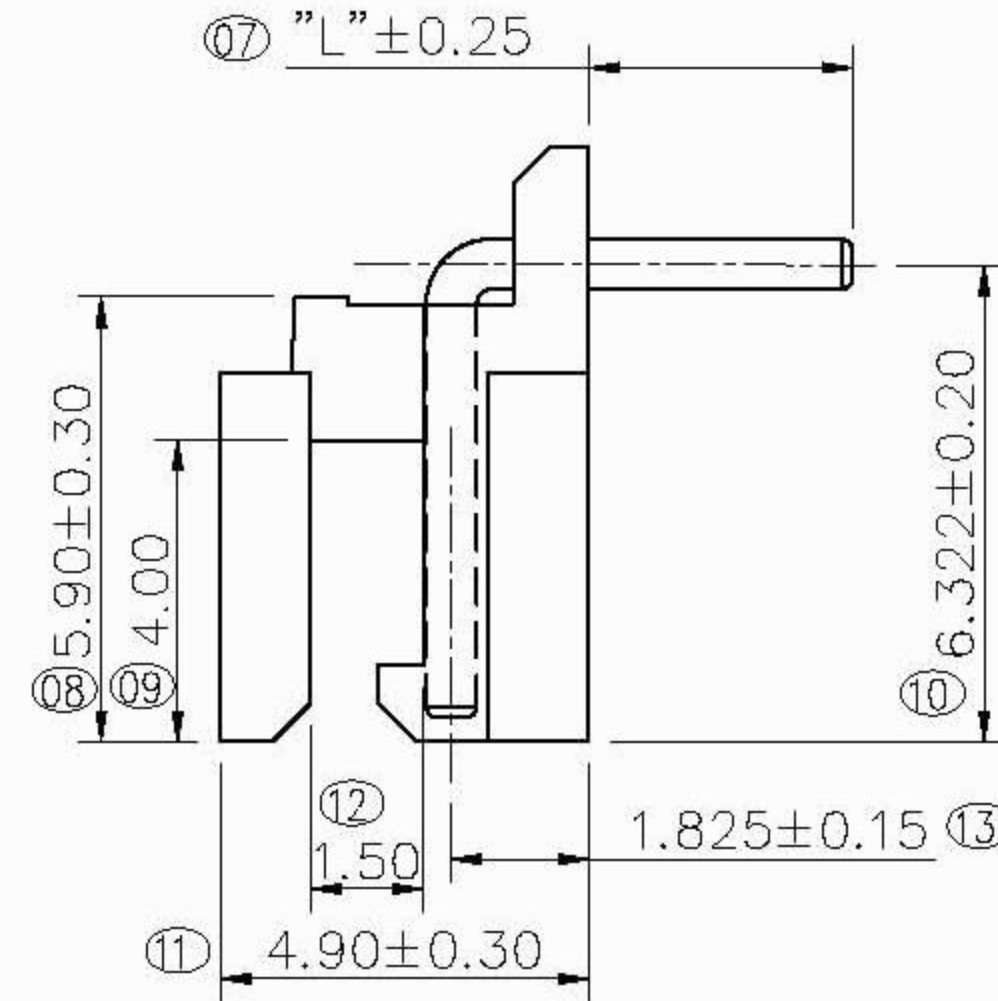
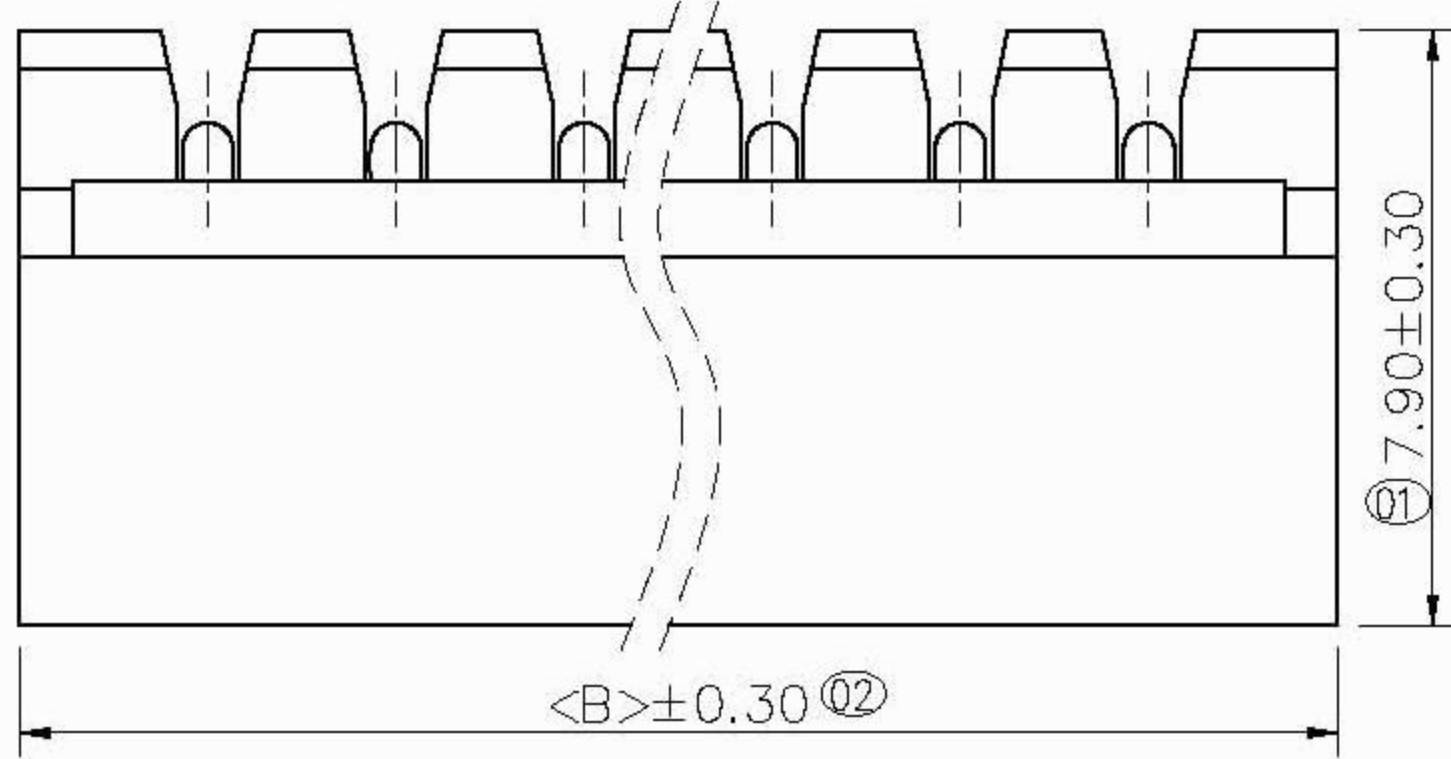


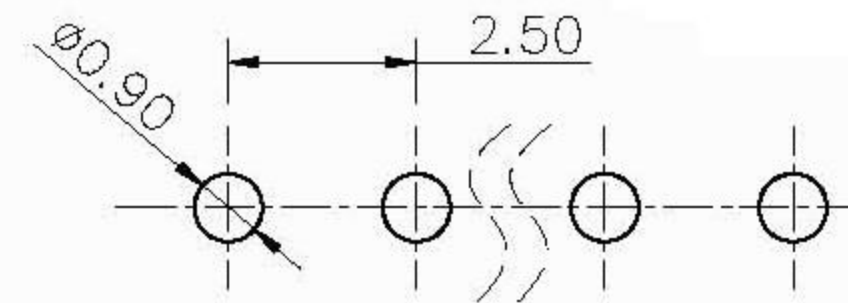
NOTES:

CURRENT RATING: 3A AC/DC.
 VOLTAGE RATING: 250V AC/DC.
 TEMPERATURE RANGE: -25°C~+85°C.
 CONTACT RESISTANCE: 20mΩ MAX.
 INSULATION RESISTANCE: 1000MΩ MIN.
 WITHSTANDING VOLTAGE: 1000V AC/MINUTE.



Recommended P.C.B Layout(Top Side)

P.C.B Thickness = 1.20mm
 (Tolerance=±0.05)



PART NO.	Dimensions	
	A	B
WF2502R02	2.50	7.50
WF2502R03	5.00	10.00
WF2502R04	7.50	12.50
WF2502R05	10.00	15.00
WF2502R06	12.50	17.50
WF2502R07	15.00	20.00
WF2502R08	17.50	22.50
WF2502R09	20.00	25.00
WF2502R10	22.50	27.50
WF2502R11	25.00	30.00
WF2502R12	27.50	32.50
WF2502R13	30.00	35.00
WF2502R14	32.50	37.50
WF2502R15	35.00	40.00
WF2502R16	37.50	42.50

GXCON

DRAW NO.	DATE	P/N NO:	DRAW NAME:
DESIGN:	01/02/06	WF2502RXX	MX 2.50 90° WAFER
CHECK:		REV. C	SCALE 1:1
REVIEW:		UNIT: mm	SHEET: 1 OF 1

DIM	TOL	DIM	TOL
X.	/	X°.	/
X.X	±0.25	X.X°	±2°
X.XX	±0.20	X.XX°	±1°
X.XXX	±0.10	X.XXX°	/